

1U 12-Way MCB Distributions

This 1U distribution is a standalone unit for mounting in 19" frames. It has 12 pluggable MCB positions with load alarm and optional single feed, dual feed and LVLD. Rear cable entry and front accessed terminals ensures easy connectivity. Altogether, this compact distribution panel provides a cost-effective solution for protection of DC-loads.



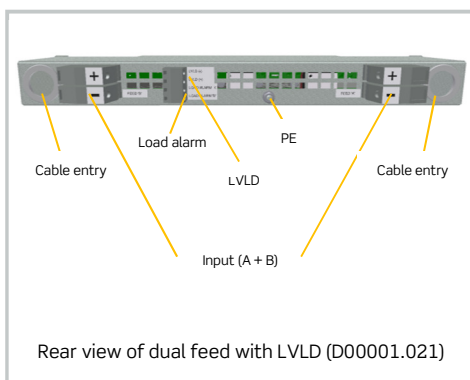
1U 12-WAY MCB DISTRIBUTIONS

(48V DC DISTRIBUTIONS)

Doc D00001.xxx.DS3 – rev0

APPLICATIONS

The 1U 12-Way distribution is designed to be used in all applications where negative distribution is required. It meet today's demands when it comes to state of the art, cost efficiency and flexibility in DC power systems. Together with its compact size and reliability, this distribution is a key building block for future needs.



PRODUCT DESCRIPTION

Part number D00001.018

Single feed. Up to 100A can be distributed across 12 breaker positions, F1 – F 12.

Part number D00001.019

Single feed with LVLD. The LVLD contactor is connected to breaker position F1 – F6 with a maximum load capacity of 50A. Breaker position F7 – F12 has a maximum load capacity of 100A.

Part number D00001.020

Dual feed. Up to 200A in total can be distributed across two inputs.

Input A: position F1 – F6 maximum 100A.

Input B: position F7 – F12 maximum 100A.

Part number D00001.021

Dual feed with LVLD. The LVLD contactor is connected to input A, position F1 – F6 with a maximum load of 50A. Input B: position F7 – F12 has a maximum load capacity of 100A.

KEY FEATURES

- 1U HIGH
- 19" WIDE
- 160mm DEEP
- 12 PLUGGABLE POSITIONS FOR B-FRAME CURCUIT BREAKERS
- SINGLE OR DUAL INPUT
- OPTIONAL LVLD
- LOAD ALARM
- FRONT ACCESSED OUTPUT CONNECTIONS



1U 12-WAY MCB DISTRIBUTION

(1U DISTRIBUTION)

| Model | Single feed | Dual feed |
|---|--|--|
| Part number (basic) | D00001.018 | D00001.020 |
| Part number w/LVLD* | D00001.019 | D00001.021 |
| INPUT DATA | | |
| Maximum voltage | 60 V _{DC} | 60 V _{DC} |
| Maximum current | 100A _{DC} | 100A _{DC} pr feed(200A _{DC} total) |
| Connections (terminal block screw terminals) | 2x25mm ² | 2 x(2x25mm ²) |
| Earth (PE) | M6 stud | M6 stud |
| OUTPUT DATA | | |
| Maximum voltage | 60 V _{DC} | 60 V _{DC} |
| Maximum current | 100A _{DC} ¹⁾ | 100A _{DC} pr feed ²⁾ |
| *Maximum current LVLD (position F1 – F6) | 50A _{DC} | 50A _{DC} |
| MCB ratings | 12 x B-frame 2-20A | 12 x B-frame 2-20A |
| *LVLD | 48V 50A latching | 48V 50A latching |
| LVLD connections | 2 x 4mm ² screw terminal | 2 x 4mm ² screw terminal |
| Load Alarm (diode matrix) | 1 x 4mm ² screw terminal | 2 x 4mm ² screw terminals |
| Output Connections | 4mm ² screw terminals (rear cable entry front access) | |
| OTHER SPECIFICATIONS | | |
| Dimensions | <ul style="list-style-type: none"> o Height 1U (44 mm) o Width 19" (482.6 mm) o Depth 160 mm (incl. rear terminals) | |
| Weight approx. | 1,8 kg [4.0 lbs] | 1,9 kg [4,2 lbs] |
| Insulation | 0.5 kV _{dc} (output-earth) | |
| Operating temperature | -10°C - +45°C | |
| Storage temperature | -40°C - +85°C (long term -10°C - +45°C) | |
| DESIGN STANDARDS | | |
| Electrical safety | UL 60950-1-2 nd edition, EN 60950-1-2 nd edition | |
| EMC | ETSI EN 300 386 v1.3.2 ETSI EN 300 386 v1.5.1 EN 61000-6-1 / -2 / -3 / -4 FCC Part 15 Subpart 109 IEC 61326-3-1 | |
| Mains Harmonics | EN 61000-3-2 | |
| Environment | ETSI EN 300 019-2-1 /-2 /-3 | |
| 1) | Maximum current w/LVLD: 50A position F1-F6, 100A position F7-F12 | |
| 2) | Maximum current w/LVLD: 50A on input A, 100A on input B | |

Doc D00001.xxx.DS3 – rev0

Specifications are subject to change without notice